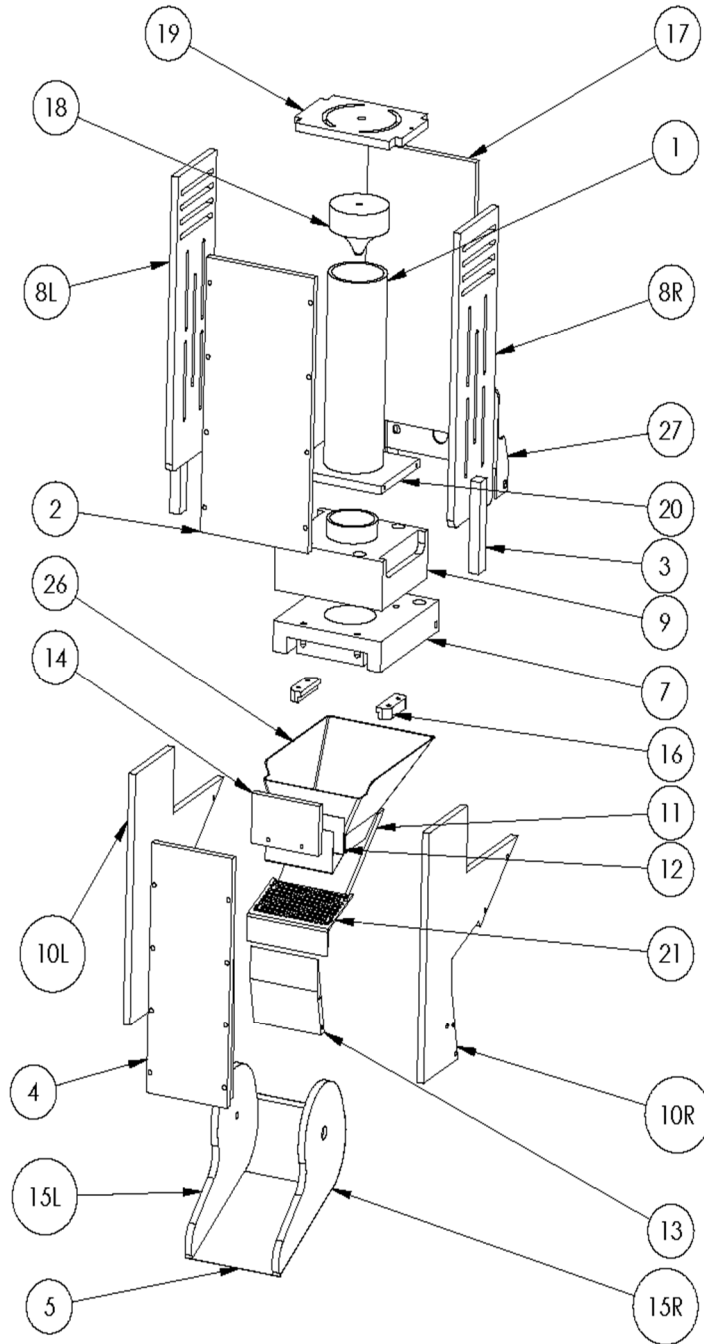


I-34-0000 EMPTY CAPSULE ELIMINATOR

FIGURE 1:





EMPTY CAPSULE ELIMINATOR PARTS LISTS

(Refer to Figure 1)

<u>ITEM #</u>	<u>QTY</u>	<u>PART NO.</u>	<u>DESCRIPTION</u>
01	1	I-34-0001	Plexiglass Tube
02	1	I-34-0002	Upper Plexiglass Cover
03	1	I-34-0003	Flexdraw Latch
04	1	I-34-0004	Bottom Front Plexiglass
05	1	I-34-0005	Ejection Chute Back
07	1	I-34-0007	Center Block
08R	1	I-34-0008-RH	Top - Right Side
08L	1	I-34-0008-LH	Top - Left Side
09	1	I-34-0009	Center Air Block
10R	1	I-34-0010-RH	Bottom - Right Side
10L	1	I-34-0010-LH	Bottom - Left Side
11	1	I-34-0011	Back - With Short Angle
12	1	I-34-0012	Capsule Deflector
13	1	I-34-0013	Back With Long Angle
14	1	I-34-0014	Capsule Deflector Mount
15R	1	I-34-0015-RH	Ejection Chute - Right
15L	1	I-34-0015-LH	Ejection Chute - Left
16	2	I-34-0016	Lower Section Guide
17	1	I-34-0017	Top - Back
18	1	I-34-0018	Nylon Cone
19	1	I-34-0019	Top Door
20	1	I-34-0020	Plastic Tube Holder
21	1	I-34-0021	Bottom Vent
26	1	299-345-001	Chute
27	1	299-346-001	Bracket